

NUOVA SIMONELLI MUSICA LUX 1 GROUP

Elegance & quality combined.

FEATURES + BENEFITS

- Musica is a high-performance machine with professional components such as the 58mm portafilter, a high-quality copper boiler that is heat insulated for the best energy efficiency, the temperature compensated group and the high productivity steam wand.
- The elegant button pad with backlit soft-touch buttons (with brightness adjustment) is an intuitive instrument panel with indicator lights (no water and heating element on). The volumetric dosing system can store up to three different dose settings.
- The hardwearing stainless steel has an elegant and compact design.
- The original lit edges (from tiny LEDs with low power inputs) on this "LUX" version gives Musica a note of original refinement.
- This model includes the 'Professional Pack' which adds an Over Pressure Valve (OPV) and a pressure stat for the best possible espresso extraction.
- Key features – High steam production, soundproofed pump, insulated boiler with heat exchanger.



KEY STATISTICS

| **Number of groups:** 1

| **Power (watts):** 1200

| **Boiler size (litres):** 2

Product code: 10196

NUOVA SIMONELLI
MUSICA LUX 1 GROUP

Elegance & quality combined.

CAPACITY AT PEAK





CAPACITY PER DAY

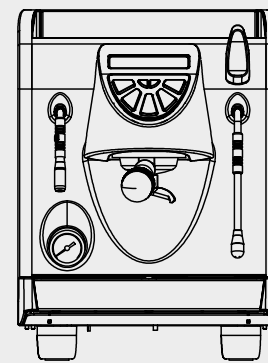


RECOMMENDED PRODUCTS

Nuova Simonelli MDH
Product code: 10192

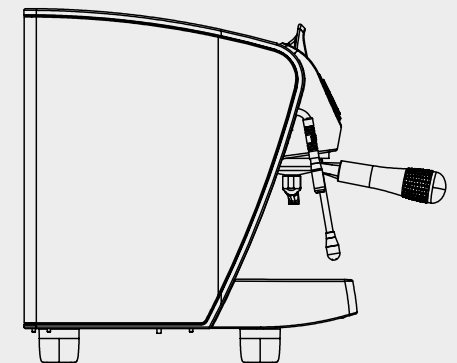


Water connection	This machine is tank fill, we recommend to always use filtered water.	
Waste	No mains waste is required for the drip tray	
Power (watts)	1200	
Boiler size (litres)	2	
Power requirements	1 x 230Vac 13A standard 3-pin socket	
Breaker	B	
Weight (kg)	20	
Dimensions w x d x h (mm)	320 x 400 x 430	



320mm

430mm



400mm